

All Rights Reserved

Materials and specifications are subject to change without notice. Featured machines in photos may include additional equipment. See your XCMG dealer for available options.



XD-Series Light Compactors

XD100/120/120VT/130/140/140VT



MG PLANT & MACHINERY
EXPORTS & SALES LTD

CALL SALES

094 9251209

087 2466111

087 6685466





INTRODUCTION OF XCMG

XCMG, as a leading enterprise valued of 100 billion RMB, with the largest scale, the best technology level, the largest export volume, and high competitiveness and influence in China's construction machinery industry, has been occupying the first place in China's construction machinery industry for decades, and it now ranks the third in the world industry and the 395th among the world's top 500 brands.

The main products by XCMG consists of 16 categories of equipment such as hoisting machinery, excavation machinery, concrete machinery, mining machinery, earth-moving machinery and road machinery, etc., as well as three categories of key components such as hydraulic system, transmission system and electric control system. Among above-mentioned, hoisting machinery ranks first in the world, and package solution of road construction and maintenance machinery, piling machinery and concrete machinery are among the first-class bloc in the world.

XCMG has accumulated more than 8000 approved patents, including more than 1900 invention patents and more than 130 PCT international patents. Entities of R&D centers, manufacturing plants or KD factories are in operation in more than 10 countries such as Germany, the United States, Brazil and India, XCMG has also acquired three European enterprises including Schwing in Germany. The Brazil manufacturing plant, with an investment of 350 million dollars to build up factories on a bare ground, has become a model of economic cooperation between China and Brazil. At present, XCMG products are exported to 187 countries and regions, covering 97% of the countries along "The Belt and Road" area. In export business to 35 countries, XCMG's proportion ranks NO. 1, with a steady first place within Chinese industry in terms of annual export volume and overseas income.

XCMG IN EUROPE

Since 1990s when XCMG was already a known brand within the industry in Europe, XCMG has been one of the major international manufacturers supplying products and service across the Continent. With its rapid development in recent years, XCMG is gradually building up an all-round network including: R&D department; local distribution, supply chain management and an integrated customer services and training center.

At present, XCMG has 3 subsidiaries in operation, with more than 100 multinational employees in Europe:

-ERC XCMG European research center GmbH

-EPC XCMG European purchasing center GmbH

-ESS XCMG European sales and services GmbH

XCMG is also holding a resource of more than 100 branches by local dealers throughout the Europe, generating a whole value chain that is serving the entire European market, including sales, service, financing, used equipment recycle, etc.

We actively and continuously implement our globalization strategy. Our first-class international team has many years of professional experience and excellent cross-cultural management capability.

With a strong combination of expertise and practical experience in a multicultural context, we create real value and provide a high level of return on investment to our European customers.





Compact design with excellent manoeuvrability , overview and visibility over drum edges

LIGHT TANDEM AND COMBINATION ROLLERS FOR VERSATIVE JOBS

XD-Series machines are characterized by compact design, large diameter drums and capable power train .

They meet requirements of jobsites in construction and landscaping jobsites ; everywhere , where conditions require high performance and compact size .

LARGE OPERATORS ENVELOPE

OPERATOR-FRIENDLY

XD-Series light rollers offer maximum operators comfort . The adjustable seat in the centre of the ergonomically arranged controls and multifunction levers(s) allow simple operation.



Intuitive operation by arrangement and symbolic of controls

Comfortable working by triple vibration absorption

Safe and convenient access by both sides

UNRIVALLED COMPACTION



LEADING COMPACTION PERFORMANCE

XD-Series's light rollers superior performance is founded on the sophisticated balance between the large drum diameter , the static and the dynamic compaction forces .

Large diameter drums allow best in class compaction homogeneity at highest productivity .

Two vibration frequencies and various modes of operation manually as well as automatic offer the best solution for every job .

Large spray water tank, pressurized , interval water spray system for long and precise drum watering . Combination variants with fully independent, manually operated additive sprayers .

RED DOT DESIGN AWARD WINNER FOR INDUSTRIAL DESIGN



reddot design award

XCMG 's light rollers are masterpieces of industrial design .
The uncompromised dedication to the operators and to the
machines application, won the Red Dot Award .

HIGHLIGHTS

Superior Powertrain System to overcome with all situations

Easy Accessible Service Points for simple maintenance

Efficient Cooling for work careless work at high temperatures or altitude

Polyurethane scraper for clean work with low drum wear

Large Diameter Drums for high and homogeneous performance



Optional Illumination for best visibility at night work

Pressurized Interval Water Spray for precise drum watering

Dual Frequency Vibration and Numerous Vibration Modes for best compaction adaptability

Optimal Weight Distribution with best balance between Static / Dynamic Forces and Drum Diameter

HIGHLIGHTS

Platform with large operators envelope for comfortable access and convenient work

Effective Noise insulation for engine compartment by Light weight , composite hood and noise absorbers

ECO Mode build in , for environmental protection , wear reduction and noise control

Lockable Compartment for manual and small tools

Seated Lateral adjustable position and weight adjustment

Comfortable access to platform

Large Spray Water Tank for long uninterrupted work

Fully Independent Additive Spray System on combination rollers with on demand spaying

Effective Vibration damping by multiple vibration absorber layers



Visibility Best in class overview around the machine . Good view over drums edges and both , front and rear side of the machine

Handrails Ergonomic arrangement and color for highest safety



Lockable Dashboard cover built in without disturbing view , for protection

Dashboard for intuitive operation with clear graphical descriptions and easy accessible switches . The central multifunction gauge with LCD display provides most important information

AdVib Preparation , optional for best compaction control

HIGHLIGHTS



Narrow overhang for close side approach

Edge cutter , optional with various disks

Flow divider on propel system , optional for best traction

HIGHLIGHTS

Compact Dimensions for most versatile suitability



Central lifting point for simplified and safe loading

Optional Second Lever at the left-hand side for even higher ergonomics

Foldable ROPS in Series for simplified transportation

Maintenance free , Lifetime Lubricated Vibration Bearings

Tow-Down Points for simple securing during transport

Maintenance free Articulation Joint , with large steering and oscillation angles



MAINTENANCE FREE
VIBRATION BEARINGS
AND ARTICULATION



CONVENIENT AND EFFICIENT MAINTENANCE

NEW STANDARD IN OPERABILITY

WATER SPRAY SYSTEM

Maintenance of the waterspray system is considerably simple . Filters and drainage is well located and easy to access . Since spray water drainage is located at systems lowest point complete release of all water is possible . To reduce conatmi-nation a bag filter is located direct at water tanks inlet .

CONVENIENT MAINTENANCE

Maintenance within the engine compartment is simplified due to accessible placing of all components that are subject to regular maintenance .

EASY TO OPERATE

Operation friendliness is enhanced by clear overseable dashboard structure and the configuration of the multifunctional lever(s) . Simple and intuitive operation is granted .

APPLICATION MATCHING

Various vibration modes, selectable vibrat-ing large diameter drums allow selection of best working setting every jobsite .

Durable vibration structure ensures reliable operation . We pay great attention to de-tails, making your operation a pure plea-sure .

EDGE CUTTER , ANTI-SLIP DEVICES , WORKING LIGHTS , BEACON LIGHT OPTIONS



IN ORDER TO PROVIDE EXACTLY THE REQUIRED MACHINE CONFIGURATION , NUMEROUS OPTIONS ARE AVAILABLE.

EDGE CUTTER

Edge forms when the road is compacted , the edge cutting equipment is controlled by the button on the lever . Different tools are available .

FLOW DIVIDER DEVICE

All XCMGs light rollers may be optional equipped with a flow divider in the propel system acting as hydraulic differential lock between front and rear drive system.

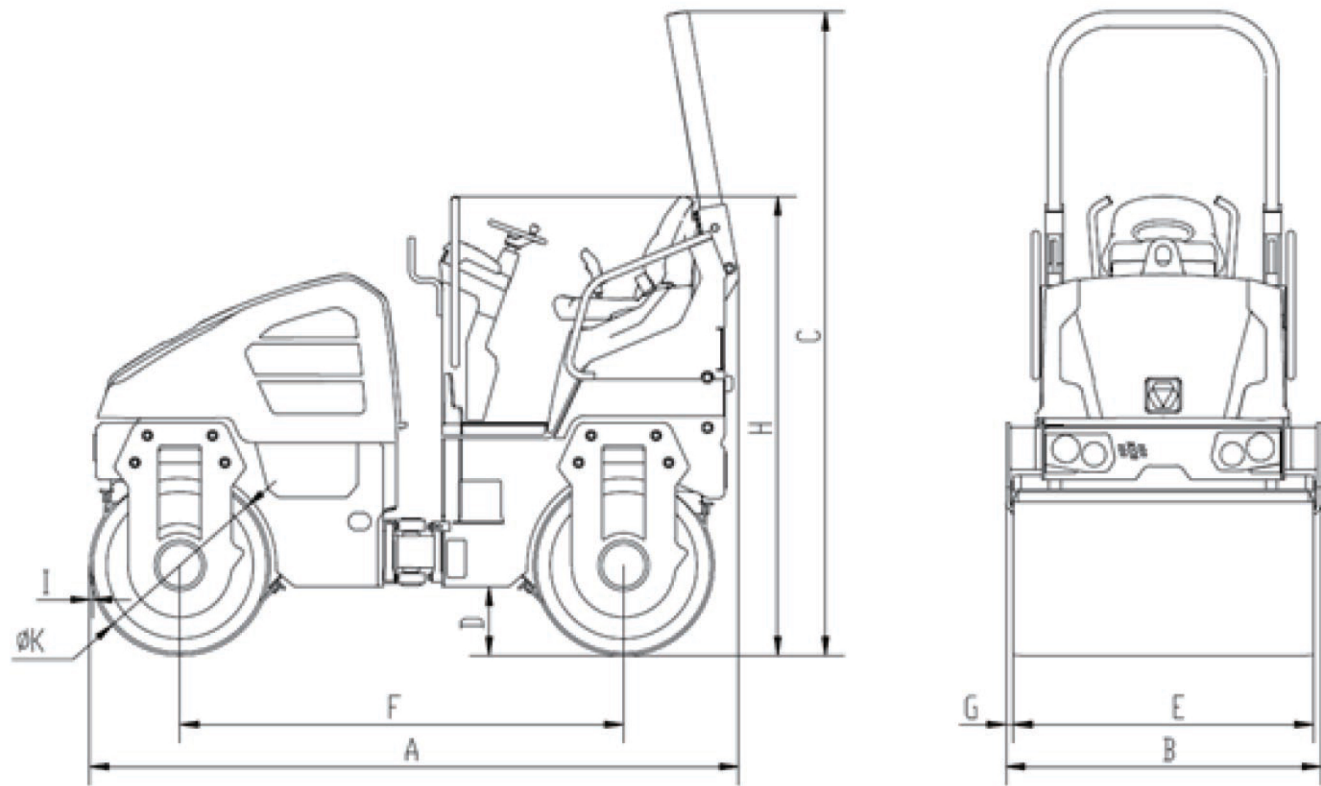
SIMPLE TRANSPORTATION

Large , accessible tow-down fixing eyes and a central lifting point simplify transportation . In addition to the good all-around visibility , loading and unloading is a simple task .

COMBINATION ROLLER

XD120VT AND XD140VT COMBINE A VIBRATORY DRUM AND PNEUMATIC TIRES . THIS ALLOWS COMPACTION AND SURFACE TREATMENT OF BITUMENOUS PAVEMENTS WITH ONE MACHINE .





■ Main Dimensions

	A	B	C	D	E	F	G	H	I	K
XD100	2610	1086	2575	275	1000	1773	43	1845	12	720
XD120	2610	1286	2575	275	1200	1773	43	1845	12	720
XD130	2910	1435	2940	350	1300	1950	67	1980	16	920
XD140	2910	1515	2940	350	1380	1950	67	1980	16	920
XD120VT	2610	1286	2575	275	1200	1773	43	1845	12	720
XD140VT	2910	1515	2940	350	1380	1950	67	1980	16	920

■ Main Specifications

	unit	XD100	XD120	XD130	XD140	XD120VT	XD140VT
Operating weight CECE	kg	2650	2700	4000	4300	2650	4000
Static load front drum	N/cm	122	110	151	155	110	155
Static load rear drum	N/cm	137	122	151	155	-	-
Amplitude	mm	0.5	0.5	0.5	0.5	0.5	0.5
Frequency	Hz	63/67	63/67	53/60	53/60	63/67	53/60
Vibration force	kN	30/34	36/41	42/53	42/53	36/41	42/53
Drum dimensions	mm	720 x 1000	720 x 1200	920 x 1300	920 x 1380	720 x 1200	920 x 1380
Speed	km/h	0-10	0-10	0-11	0-11	0-10	0-11
Theoretical dimbability	%	30	30	30	30	30	30
Minimum turning radius (inner / outer)	mm	2500/3700	2250/3450	2450/3750	2410/3790	2500/3700	2410/3790
Oscillation angle		±8	±8	±8	±8	±8	±8
Engine manuladure		Kubota	Kubota	Kubota	Kubota	Kubota	Kubota
Type		D1803-CR-E5B	D1803-CR-E5B	V2403	V2403	D1803-CR-E5B	V2403
Cooling		water	water	water	water	water	water
Emission stage		EU Stage 5	EU Stage 5	EU Stage 5	EU Stage 5	EU Stage 5	EU Stage 5
Number of cylinder		3	3	4	4	3	4
Performance ISO 14396	kw	24.6	24.6	33.6	33.6	24.6	33.6
Performance SAE J 1905	hp	33.0	33.0	45.7	45.7	33.0	45.7
Rated engine speed	min-1	2400	2400	2400	2400	2400	2400

Technical modifications reserved. Machines may be shown with options.

Optimum services , XCMG Guaranteed



XCMG approved attachments



Genuine parts



Extension of warranty



Financial solutions



Maintenance contract



Telematics



Monitoring systems

Professional Integrated Complete Solutions

XCMG group has built a strong reputation based on the quality, reliability and durability of its construction machinery. What's more, XCMG has gradually established a service network to constantly provide its local integrated and highly efficient complete solutions for all users.

Full range of services ready for you

In order to respond to your needs as fast as possible, XCMG experts are on their way to your job site from one of our facilities near you. Full range of services are available in order to reduce your total cost of ownership and increase your revenue.



XCMG Global Spareparts System



Mobile cranes



Excavators



Aerial work platforms



Wheel loaders



Road machinery

