

# XGA16ACE

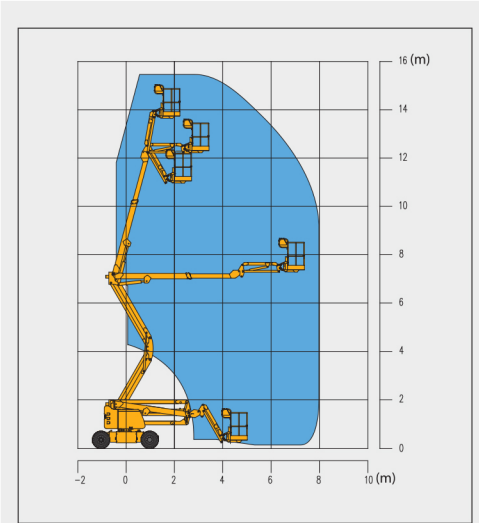
## Articulated Boom Lift-Electric

Item	Metric	
<b>Dimension</b>		
Overall dimension - stowed state	Length	6600mm
	Width	1750mm
	Height	2000mm
Overall dimension - transportation	Length	5170mm
	Width	1750mm
	Height	2470mm
Platform dimension	Length	1400mm
	Width	700mm
	Height	1150mm
Wheelbase		2010mm
Fly jib length		1450mm
Min. ground clearance		210mm

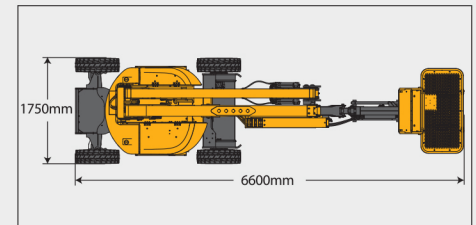
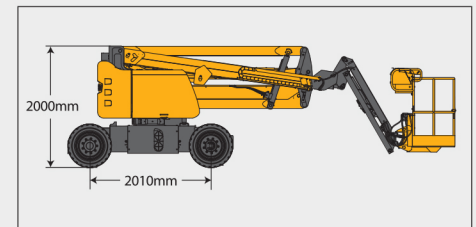
<b>Performance</b>	
Max. working height	15.8m
Max. platform height	13.8m
Max. working range	8.2m
Max. up and over clearance	7.4m
Max. lift capacity	227kg
Max. number of occupants	2
Max. working slope	X-5°/ Y-5°
1st boom luffing range	0°~60°
2nd boom luffing range	-8°~75°
Fly jib luffing range	-60°~80°
Turntable rotation	355°
Platform rotation	160°
Total weight	6900kg
Driving speed (stowed)	5.2km/h
Driving speed (raised or extended)	0.6km/h
Min. turning radius (inside/outside)	1100mm/3300mm
Turntable tailswing (stowed)	0mm
Max. gradeability	30% (16.7°)

<b>Power source</b>	<b>Maintenance-free lead acid</b>
Control	12V DC proportional control
Traveling motor	4kW/48V
Emergency power supply	/
Main power source - battery	48V/400Ah
Main power source - charger	48V/35A
Hydraulic tank capacity	15L

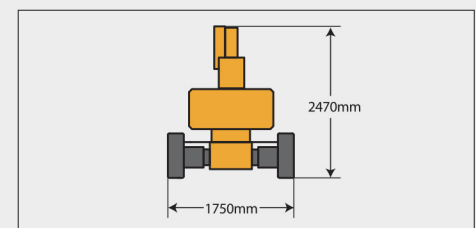
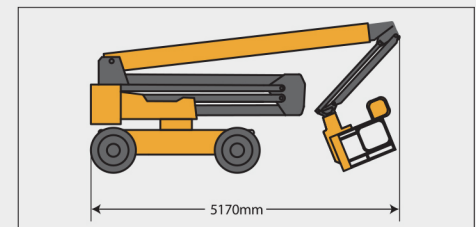
<b>Tire</b>	
Tire size	720mm×220mm
Tire ground pressure	6.08kg/cm <sup>2</sup>
Driving wheels	2
Braking wheels	2
Steering wheels	2



Stowed



Trans





**SOLID**  
TO SUCCEED



# ARTICULATED BOOM LIFT XGA16ACE

Comply with CE

## Standard configuration

- 2-wheel drive
- Lowering and moving alarm
- Tilt alarm
- Emergency stop of platform and chassis
- Emergency power unit
- 2-wheel braking system
- Proportional self-leveling system
- Proportional joystick control
- Drive enable
- Full time positive traction drive
- Full speed traveling motor
- Telematics pre-interface
- Anti-extrusion protection device
- Thumb rocker steering



Working height  
15.8 meters



Lift capacity  
227Kg



Electric  
power



## Optional configuration

- Platform power supply
- Tool tray
- Working light assembly
- Platform with half-height mesh panel
- Gray environmental solid tires 720mm×220mm
- Perfusion-type tires 730mm×225mm
- Gray perfusion-type tires 730mm×225mm



**MG** PLANT & MACHINERY  
EXPORTS & SALES LTD

**TEL: 094 92 51209**



**MG** *PLANT & MACHINERY  
EXPORTS & SALES LTD*

**CALL SALES**

**094 9251209**

**087 2466111**

**087 6685466**